

Water terminal unit

Cased and uncased, vertical and horizontal indoor installation
Capacity from 1,5 to 10,7 kW

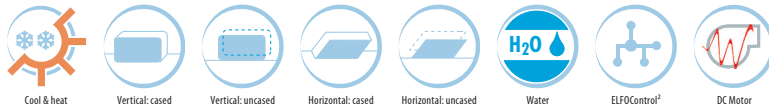


ELFOSpace

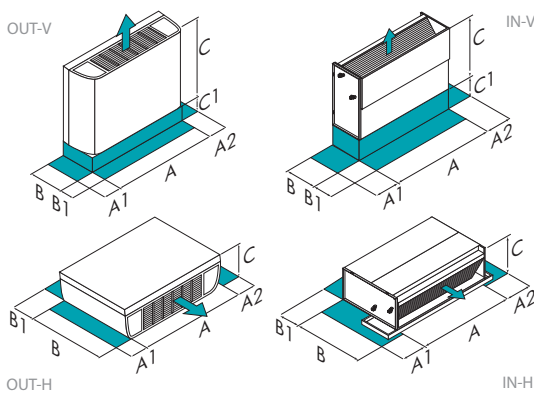
ELFOSpace OUT and IN are the cased and uncased water terminal for installation in the commercial sector.

- ▶ Versions for 2 and 4-pipe systems;
- ▶ Available with DC Brushless ventilating unit (sizes 003.0÷031.0);
- ▶ The available controls are simple and user-friendly, satisfying the most varied of requirements;
- ▶ Designed for connection to the ELFOControl² or general supervisors;
- ▶ Low noise operation and easy to clean;
- ▶ Twelve sizes available with an almost countless number of accessories for resolving any service application.

functions and features



dimensions and clearances



CAUTION! For trouble-free operation of the unit it is essential to maintain the safety distances indicated by the green areas.

Size – ELFOSPACE		003.0	005.0	007.0	009.0	011.0	015.0	017.0	021.0	025.0	031.0	041.0	051.0
OUTV	A - Length	mm 670	670	870	870	1070	1070	1270	1270	1470	1470	1670	1670
OUTV	B - Width	mm 220	220	220	220	220	220	220	220	220	220	220	220
OUTV	C - Height	mm 470	470	470	470	470	470	470	470	470	470	470	470
OUTV	A1	mm 200	200	200	200	200	200	200	200	200	200	200	200
OUTV	A2	mm 200	200	200	200	200	200	200	200	200	200	200	200
OUTV	B1	mm 250	250	250	250	250	250	250	250	250	250	250	250
OUTV	C1	mm 90	90	90	90	90	90	90	90	90	90	90	90
INV	A - Length	mm 450	450	650	650	850	850	1050	1050	1250	1250	1450	1450
INV	B - Width	mm 215	215	215	215	215	215	215	215	215	215	215	215
INV	C - Height	mm 450	450	450	450	450	450	450	450	450	450	450	450
INV	A1	mm 200	200	200	200	200	200	200	200	200	200	200	200
INV	A2	mm 200	200	200	200	200	200	200	200	200	200	200	200
INV	B1	mm 250	250	250	250	250	250	250	250	250	250	250	250
INV	C1	mm 90	90	90	90	90	90	90	90	90	90	90	90
OUTH	A - Length	mm 670	670	870	870	1070	1070	1270	1270	1470	1470	1670	1670
OUTH	B - Width	mm 470	470	470	470	470	470	470	470	470	470	470	470
OUTH	C - Height	mm 220	220	220	220	220	220	220	220	220	220	220	220
OUTH	A1	mm 200	200	200	200	200	200	200	200	200	200	200	200
OUTH	A2	mm 200	200	200	200	200	200	200	200	200	200	200	200
OUTH	B1	mm 90	90	90	90	90	90	90	90	90	90	90	90
INH	A - Length	mm 545	545	745	745	945	945	1145	1145	1345	1345	1545	1545
INH	B - Width	mm 450	450	450	450	450	450	450	450	450	450	450	450
INH	C - Height	mm 215	215	215	215	215	215	215	215	215	215	215	215
INH	A1	mm 200	200	200	200	200	200	200	200	200	200	200	200
INH	A2	mm 200	200	200	200	200	200	200	200	200	200	200	200
INH	B1	mm 90	90	90	90	90	90	90	90	90	90	90	90
CC2-INV	Operating weight	kg 11	11	14	14	20	20	23	24	27	28	31	34
CC4-INV	Operating weight	kg 11	12	14	15	20	21	23	25	27	29	31	35
CC4-INV	Operating weight	kg 12	12	14	15	21	22	24	26	28	30	32	36
CC4-INV	Operating weight	kg 12	12	15	16	21	22	24	26	28	30	32	36
CC2-OUTV	Operating weight	kg 14	14	16	17	22	24	26	28	30	32	34	38
CC2-OUTH	Operating weight	kg 15	15	18	19	24	26	28	30	33	34	37	41
CC4-OUTH	Operating weight	kg 16	16	19	20	26	27	30	31	34	36	39	42
CC4-OUTV	Operating weight	kg 14	15	17	18	24	25	27	29	31	33	35	39

The above mentioned data are referred to standard units for the constructive configurations indicated. For all the other configurations, refer to the relative Technical Bulletin.

OUTV Vertical cased version
INV Vertical uncased version
OUTH Horizontal cased version
INH Horizontal uncased version
CC2-INV 2 pipes-Vertical uncased version

CC2-INH 2 pipes-Horizontal uncased version
CC4-INV 4-pipe-Vertical uncased version
CC4-INH 4-pipe-Horizontal uncased version
CC2-OUTV 2 pipes-Vertical cased version
CC2-OUTH 2 pipes-Horizontal cased version
CC4-OUTH 4-pipe-Horizontal cased version
CC4-OUTV 4-pipe-Vertical cased version

versions and configurations

VERSION:

- ▶ **INV** Vertical uncased version (Standard)
- ▶ **OUTV** Vertical cased version
- ▶ **OUTH** Horizontal cased version
- ▶ **INH** Horizontal uncased version

COIL CONFIGURATION:

- ▶ **CC2** Coil configuration for 2-pipe system (Standard)
- ▶ **CC4** Coil configuration for 4-pipe system

WATER FITTINGS:

- ▶ **SX** Water fittings to the left (Standard)
- ▶ **DX** Water fittings to the right

technical data

Size – ELFOSPACE		003.0	005.0	007.0	009.0	011.0	015.0	017.0	021.0	025.0	031.0	041.0	051.0
2-pipe													
HIGH SPEED													
Airflow	m ³ /h	370	400	500	550	670	720	1.000	1.050	1.280	1.310	1.910	1.940
▶ Cooling capacity	(1) kW	1,50	2,00	2,53	3,02	3,75	4,25	5,52	6,42	7,53	9,02	9,60	10,70
Sensible capacity	(1) kW	1,29	1,62	2,07	2,31	2,87	3,23	4,33	4,80	5,67	6,62	7,64	8,36
Water flow-rate	(1) l/h	258	344	435	519	645	731	949	1.104	1.295	1.551	1.651	1.710
Water pressure drop	(1) kPa	13,10	16,30	18,50	20,80	22,60	24,10	24,50	27,10	28,80	29,20	31,00	33,40
▶ Heating capacity	(2) kW	1,87	2,46	2,99	3,36	4,08	4,72	6,00	6,65	7,75	9,05	10,55	11,60
Water flow-rate	(2) l/h	322	422	514	577	702	812	1.032	1.144	1.333	1.557	1.815	1.995
Water pressure drop	(2) kPa	17,70	21,40	22,40	22,30	23,30	25,90	25,20	25,30	26,50	25,60	32,50	34,10
Total power input	W	49	49	66	66	71	71	130	130	146	146	224	224
MEDIUM SPEED													
Airflow	m ³ /h	285	310	400	440	590	635	890	935	1.140	1.160	1.640	1.660
▶ Cooling capacity	(1) kW	1,28	1,71	2,20	2,63	3,47	3,93	5,14	5,97	7,01	8,37	8,73	9,72
Sensible capacity	(1) kW	1,07	1,35	1,76	1,97	2,62	2,95	3,98	4,42	5,22	6,07	6,85	7,48
Water flow-rate	(1) l/h	219	294	379	452	596	676	883	1.028	1.205	1.439	1.502	1.672
Water pressure drop	(1) kPa	9,50	11,90	14,00	15,80	19,30	20,70	21,20	23,50	25,00	25,10	25,70	27,60
▶ Heating capacity	(2) kW	1,57	2,08	2,58	2,90	3,75	4,35	5,56	6,16	7,18	8,35	9,54	10,47
Water flow-rate	(2) l/h	271	357	444	498	645	747	956	1.060	1.235	1.437	1.641	1.800
Water pressure drop	(2) kPa	12,60	15,30	16,70	16,60	19,70	21,90	21,60	21,70	22,80	21,80	26,60	27,70
Total power input	W	34	34	53	53	56	56	105	105	123	123	200	200
LOW SPEED													
Airflow	m ³ /h	225	245	305	335	460	500	650	680	870	890	1.490	1.515
▶ Cooling capacity	(1) kW	1,10	1,48	1,86	2,22	2,97	3,39	4,23	4,90	5,93	7,10	8,23	9,19
Sensible capacity	(1) kW	0,90	1,14	1,45	1,62	2,19	2,49	3,18	3,52	4,30	5,02	6,40	7,00
Water flow-rate	(1) l/h	190	254	320	382	511	583	727	843	1.019	1.221	1.416	1.580
Water pressure drop	(1) kPa	7,10	8,90	10,00	11,20	14,20	15,40	14,40	15,80	17,90	18,10	22,80	24,60
▶ Heating capacity	(2) kW	1,35	1,78	2,16	2,42	3,18	3,71	4,52	4,99	6,01	7,02	8,96	9,86
Water flow-rate	(2) l/h	232	306	371	416	548	638	777	859	1.034	1.207	1.541	1.695
Water pressure drop	(2) kPa	9,20	11,20	11,70	11,60	14,20	16,00	14,30	14,20	15,90	15,40	23,50	24,60
Total power input	W	24	24	36	36	38	38	71	71	88	88	175	175
4-pipe													
HIGH SPEED													
Airflow	m ³ /h	350	380	480	520	640	680	960	1.000	1.230	1.260	1.850	1.880
▶ Cooling capacity	(1) kW	1,45	1,94	2,47	2,92	3,65	4,11	5,39	6,23	7,35	8,81	9,42	10,51
Sensible capacity	(1) kW	1,24	1,57	2,02	2,22	2,78	3,11	4,21	4,64	5,52	6,44	7,47	8,18
Water flow-rate	(1) l/h	249	334	425	502	628	707	927	1.072	1.264	1.515	1.620	1.808
Water pressure drop	(1) kPa	12,30	15,40	17,60	19,50	21,40	22,50	23,40	25,50	27,40	27,90	29,80	32,20
▶ Heating capacity	(3) kW	1,67	1,76	2,83	2,98	3,89	4,04	5,59	5,74	7,10	7,21	9,86	9,96
Water flow-rate	(3) l/h	144	151	243	256	335	348	481	494	611	620	848	856
Water pressure drop	(3) kPa	5,90	6,50	9,40	10,50	17,20	18,60	33,30	35,10	30,60	31,50	39,20	40,00
Total power input	W	49	49	66	66	71	71	130	130	146	146	224	224
MEDIUM SPEED													
Airflow	m ³ /h	270	295	385	415	560	590	850	880	1.100	1.260	1.850	1.880
▶ Cooling capacity	(1) kW	1,24	1,66	2,15	2,54	3,36	3,76	5,00	5,76	6,86	8,24	8,64	9,64
Sensible capacity	(1) kW	1,03	1,31	1,73	1,89	2,53	2,81	3,86	4,23	5,10	5,96	6,76	7,40
Water flow-rate	(1) l/h	212	285	371	437	578	647	860	990	1.180	1.416	1.487	1.658
Water pressure drop	(1) kPa	8,90	11,30	13,40	14,70	18,20	18,90	20,10	21,80	23,90	24,40	25,10	27,00
▶ Heating capacity	(3) kW	1,41	1,49	2,44	2,57	3,57	3,68	5,16	5,28	6,60	6,71	9,00	9,08
Water flow-rate	(3) l/h	121	128	210	221	307	317	444	454	567	577	774	781
Water pressure drop	(3) kPa	4,20	4,70	7,10	7,80	14,50	15,40	28,40	29,70	26,40	27,30	32,60	33,20
Total power input	W	34	34	53	53	56	56	105	105	123	123	200	200
LOW SPEED													
Airflow	m ³ /h	210	230	295	320	445	475	630	660	850	865	1.470	1.485
▶ Cooling capacity	(1) kW	1,06	1,42	1,83	2,16	2,91	3,29	4,15	4,82	5,85	6,98	8,17	9,08
Sensible capacity	(1) kW	0,86	1,10	1,43	1,57	2,14	2,41	3,11	3,45	4,24	4,92	6,34	6,91
Water flow-rate	(1) l/h	182	244	314	372	501	566	714	828	1.005	1.200	1.405	1.562
Water pressure drop	(1) kPa	6,50	8,30	9,60	10,70	13,70	14,40	13,90	15,30	17,30	17,50	22,40	24,00
▶ Heating capacity	(3) kW	1,19	1,26	2,05	2,16	3,06	3,19	4,24	4,37	5,57	5,63	8,47	8,52
Water flow-rate	(3) l/h	103	109	176	186	264	275	364	376	479	484	729	733
Water pressure drop	(3) kPa	3,00	3,40	5,00	5,50	10,70	11,60	19,10	20,30	18,80	19,20	29,00	29,30
Total power input	W	24	24	36	36	38	38	71	71	88	88	175	175
Standard power supply	V	220-240/1/50											
Type of supply fan	(4)	CFG											
No. of supply fans	-	1	1	1	1	2	2	2	2	2	2	3	3
H Sound pressure level	(5) dB(A)	44	44	50	51	43	43	49	51	54	55	57	57
M Sound pressure level	(5) dB(A)	37	37	44	45	39	40	47	47	52	52	54	54
L Sound pressure level	(5) dB(A)	30	31	36	37	32	33	40	41	45	46	51	52
H Sound power level	(5) dB(A)	55	55	61	62	54	54	60	62	65	66	68	68
M Sound power level	(5) dB(A)	48	48	55	56	50	51	58	58	63	63	65	65
L Sound power level	(5) dB(A)	41	42	47	48	43	44	51	52	56	57	62	63

Notes

The Product is compliant with the Erp (Energy Related Products) European Directive. It includes the Commission delegated Regulation (EU) No 2016/2281, also known as Ecodesign Lot21.

Airflow with free outlet (0 Pa static pressure)

- (1) Entering exchanger water 7°C (temperature differential 5°C) - Ambient air 27°C D.B. / 19°C W.B.
- (2) Entering exchanger water 45°C (temperature differential 5°C) - Ambient air 20°C

(3) Entering exchanger water 65°C (temperature differential 10°C) - Ambient air 20°C

(4) CFG = AC centrifugal fan

(5) Sound levels tested in anechoic chamber and referring to units for 2-pipe systems. The sound pressure level refers to 1 m from the external surface of the unit operating in the open field.

accessories

- ▶ **MR** 90° air outlet
- ▶ **R3** Downward air return
- ▶ **RF** Front air return
- ▶ **RP** Rear intake
- ▶ **RPFO** Rear intake with oblique downward filter extraction
- ▶ **RPFB** Rear intake with vertical downward filter extraction
- ▶ **RPFA** Rear intake with vertical upward filter extraction
- ▶ **VEC** High efficiency EC fan (sizes 003.0÷031.0)
- ▶ **CTSP1** CLIVET TALK TERMINAL SPACE electronics with RS485 Modbus serial port
- ▶ **CPVM** Control additional card of 0-10V valve and EC fan (available only with options: CTSP1)
- ▶ **TR** Terminal block for motor connection
- ▶ **TRM** Terminal block with minimum water temperature clickson
- ▶ **HIDF1** Control on the unit: off + 3 speed switch
- ▶ **HIDF2** Built-in control: BULB thermostat (3 speed.+off+E/I+Temp.selection)
- ▶ **HIDF4** Control on the unit: BULB thermostat(3speed+off+E/I+temp.select.)+ min. temperature thermostat
- ▶ **HIDF5** Control on the unit:BULB thermostat + on/off heaters
- ▶ **HIDF6** Control mounted on unit's side: multi-function electronic room thermostat
- ▶ **HIDF7** Built-in control: electronic thermostat with display
- ▶ **HIDF8** Control built-in installed: electronic thermostat with display for 0-10Vdc fan (sizes 003.0÷031.0)
- ▶ **TRP** Terminal block with closing cover IP40
- ▶ **TRMP** Terminal block with closing cover IP40 and minimum water temperature clickson
- **HIDE2X** Remote control with E/I +3V +on/off for wall installation
- **HIDE3X** Plurifunctional remote control for wall installation
- **HIDE4X** Plurifunctional room control for 0-10V valves
- **HIDT2X** HID-T2 electronic room control
- **HIDT3X** HID-T3 electronic room control
- **HIDT18X** HIDT18X electronic room control for wall installation
- **TMX** Hot water min. temperature thermostat
- **PTABX** Remote probe for room air temperature for electromechanical thermostats.
- **DCPX** Control device for more units with a single room control.
 - ▶ **RE** Electric heaters
- **KBI2** 2-pipe water balancing kit = ball valve+water balancing kit
- **KBI2X** 2-pipe water balancing kit = ball valve+water balancing kit
- ▶ **KBI4** 4-pipe water balancing kit = 2 ball valves+2 water balancing kit
- **KBI4X** 4-pipe water balancing kit = 2 ball valves+2 water balancing kit
- ▶ **2V2** ON/OFF 2 way valve kit for 2-pipe system
- **2V2X** ON/OFF 2 way valve kit for 2-pipe system
- ▶ **2V4** ON/OFF 2 way valve kit for 4-pipe system
- **2V4X** ON/OFF 2 way valve kit for 4-pipe system
- **3V2** Three-way valve kit for 2-pipe type "on/off" system
- **3V2X** Three-way valve kit for 2-pipe type "on/off" system
- ▶ **3V4** Three-way valve kit for 4-pipe system type "on/off"
- **3V4X** Three-way valve kit for 4-pipe system type "on/off"
- ▶ **10V2** 0-10V 3-way valve kit for 2-pipe system
- **10V2X** 0-10V 3-way valve kit for 2-pipe system
- ▶ **10V4** 0-10V 3 way valve kit for 4-pipe system
- **10V4X** 0-10V 3 way valve kit for 4-pipe system
- ▶ **KR90X** 90° pipe-fitting kit
- ▶ **BRV** Auxiliary condensate collection pan (vertical installation)
- **BRVX** Auxiliary condensate collection pan (vertical installation)
- ▶ **BROP** Auxiliary condensate collection pan (horizontal installation)
- **BROPX** Auxiliary condensate collection pan (horizontal installation)
- ▶ **CDP** Condensate drain pump
- **CDPX** Condensate drain pump
- **SERX** Manual outside air damper for Vertical and horizontal installation
- **SERMX** Outdoor air motorized on/off damper
- **PI90X** Support feet for built-in vertical units h=90mm
- **PI155X** Support plinth for concealed vertical units h=155mm
- **PV90X** Support plinth with cover for in-view vertical units h=90mm
- **PV155X** Support plinth with cover for in-view vertical units h=155mm
- **PVG155X** Support feet with cover h=155mm and return grille
- **FTZX** Galvanized steel plate falseframe
- **PNAX** Pre-painted panel with supply and return grilles
- **PPVX** Rear cover panel for OUT-V without support feet
- **PPV90X** Rear cover panel for OUT-V with support feet h=90mm
- **PPV155X** Rear cover panel for OUT-V with support feet h=155mm
- **PRAX** Air intake straight plenum
- **PRCAX** Air intake plenum with circular fittings and air filter
- **PR90AX** 90° air intake plenum
- **PRMX** Air discharge plenum
- **PR90MX** 90° air outlet plenum
- **PRCMX** Air outlet plenum with circular fittings+internal thermal and acoustic insulation
- **PRCTX** Terminal plenum with circular connections
- **PRTX** 0-100 mm telescopic extension
- **DAOJX** Air supply duct with flexible connection
- **GAAX** Air intake duct with flexible joint
- **GRMX** Air outlet grille without air filter
- **AGRMX** Air outlet grille in aluminium without filter
- **GRAX** Return grille with filter
- **AGRAX** Air intake grille with air filter

Key to symbols and notes

- Accessories separately supplied

For compatibility between the various accessories, please refer to the dedicated Technical Bulletin or our website in the Systems and Products section.

