

Water terminal unit

Uncased horizontal and vertical indoor installation

Ductable

Capacity from 6,8 to 25,5 kW

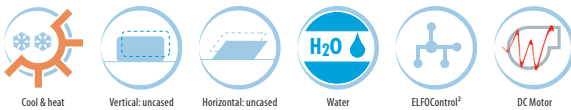


ELFODuct

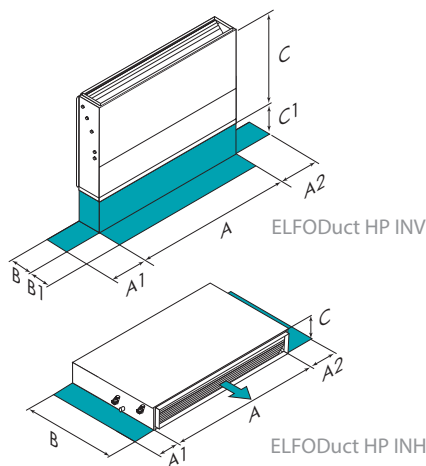
The **ELFODuct HP** are the new generation air-treatment water terminal units ideal for installations where ducted air distribution is necessary. The units are designed for installation in suspended ceilings or lining walls and are characterized by their compactness and extremely low noise levels. The advantages of the new series are: Version for 2 and 4-pipe systems;

- ▶ Version for horizontal installations in suspended ceilings and version for vertical installations in lining walls;
- ▶ High energy efficiency thanks to the configuration with fan deck with DC Brushless motor;
- ▶ Available head up to **150 Pa**;
- ▶ Very low sound levels;
- ▶ Internal exchanger with large exchange surface, easily reversed water connections even on construction site;
- ▶ Complete accessories range for the full installation;
- ▶ Complete range of electromechanical and electronic thermostats and serial port RS485 with MODBUS protocol.

functions and features



dimensions and clearances



CAUTION! For trouble-free operation of the unit it is essential to maintain the safety distances indicated by the green areas.

Size – ELFODUCT HP			015.0	021.0	025.0	031.0	041.0	051.0	061.0	071.0
CC2-INV	A - Length	mm	880	880	880	1280	1280	1280	1680	1680
CC2-INV	B - Width	mm	275	275	275	275	275	275	275	275
CC2-INV	C - Height	mm	650	650	650	650	650	650	650	650
CC2-INV	A1	mm	400	400	400	400	400	400	400	400
CC2-INV	A2	mm	200	200	200	200	200	200	200	200
CC2-INV	B1	mm	250	250	250	250	250	250	250	250
CC2-INV	C1	mm	100	100	100	100	100	100	100	100
CC2-INV	Operating weight	kg	37	38	40	52	54	57	70	73
CC2-INH	A - Length	mm	880	880	880	1280	1280	1280	1680	1680
CC2-INH	B - Width	mm	625	625	625	625	625	625	625	625
CC2-INH	C - Height	mm	275	275	275	275	275	275	275	275
CC2-INH	A1	mm	400	400	400	400	400	400	400	400
CC2-INH	A2	mm	200	200	200	200	200	200	200	200
CC2-INH	Operating weight	kg	37	38	40	52	54	57	70	73
CC4-INV	A - Length	mm	880	880	-	1280	1280	1680	1680	-
CC4-INV	B - Width	mm	275	275	-	275	275	275	275	-
CC4-INV	C - Height	mm	650	650	-	650	650	650	650	-
CC4-INV	A1	mm	400	400	-	400	400	400	400	-
CC4-INV	A2	mm	200	200	-	200	200	200	200	-
CC4-INV	B1	mm	250	250	-	250	250	250	250	-
CC4-INV	C1	mm	100	100	-	100	100	100	100	-
CC4-INV	Operating weight	kg	40	41	-	56	58	73	75	-
CC4-INH	A - Length	mm	880	880	-	1280	1280	1680	1680	-
CC4-INH	B - Width	mm	625	625	-	625	625	625	625	-
CC4-INH	C - Height	mm	275	275	-	275	275	275	275	-
CC4-INH	A1	mm	400	400	-	400	400	400	400	-
CC4-INH	A2	mm	200	200	-	200	200	200	200	-
CC4-INH	Operating weight	kg	40	41	-	56	58	73	75	-

The above mentioned data are referred to standard units for the constructive configurations indicated. For all the other configurations, refer to the relative Technical Bulletin.

CC2-INV 2 pipes-Vertical uncased version
 CC2-INH 2 pipes-Horizontal uncased version
 CC4-INV 4-pipe-Vertical uncased version
 CC4-INH 4-pipe-Horizontal uncased version

versions and configurations

VERSION:

- ▶ **INH** Horizontal uncased version (Standard)
- ▶ **INV** Vertical uncased version

WATER FITTINGS:

- ▶ **DX** Water fittings to the right (Standard)
- ▶ **SX** Water fittings to the left

COIL CONFIGURATION:

- ▶ **CC2** Coil configuration for 2-pipe system (Standard)
- ▶ **CC4** Coil configuration for 4-pipe system (sizes 015.0÷021.0, 031.0÷061.0)

RETURN:

- ▶ **RP** Rear intake (Standard)
- ▶ **R3** Downward air return
- ▶ **RF** Front air inlet

technical data

Size – ELFODUCT HP		015.0	021.0	025.0	031.0	041.0	051.0	061.0	071.0
2-pipe									
HIGH SPEED									
Airflow	m ³ /h	1.350	1.500	1.450	2.750	3.000	2.850	4.400	4.200
▶ Cooling capacity	(1) kW	6,82	8,65	10,10	12,00	15,20	17,80	21,20	25,50
Sensible capacity	(1) kW	5,30	6,58	7,38	9,78	12,10	13,50	17,20	19,40
Water flow-rate	(1) l/h	1,173	1,488	1,737	2,064	2,614	3,062	3,646	4,386
Water pressure drop	(1) kPa	35,80	39,50	38,50	28,10	38,40	30,70	29,80	25,10
▶ Heating capacity	(2) kW	7,60	9,45	10,00	14,20	17,60	18,60	25,15	26,85
Water flow-rate	(2) l/h	1,307	1,625	1,720	2,442	3,027	3,199	4,326	4,618
Water pressure drop	(2) kPa	38,60	40,90	32,80	34,10	44,70	29,10	36,40	24,10
Total power input	W	212	212	212	390	390	390	570	570
MEDIUM SPEED									
Airflow	m ³ /h	1.080	1.200	1.175	2.448	2.670	2.537	4.048	3.906
▶ Cooling capacity	(1) kW	5,94	7,53	8,87	11,17	14,14	16,56	20,13	24,38
Sensible capacity	(1) kW	4,52	5,61	6,35	9,00	11,13	12,42	16,20	18,42
Water flow-rate	(1) l/h	1,021	1,296	1,525	1,920	2,432	2,849	3,463	4,193
Water pressure drop	(1) kPa	27,10	29,90	29,70	24,30	33,20	26,50	26,80	22,90
▶ Heating capacity	(2) kW	6,56	8,16	8,71	13,15	16,30	17,23	23,81	25,60
Water flow-rate	(2) l/h	1,128	1,403	1,497	2,262	2,803	2,963	4,095	4,403
Water pressure drop	(2) kPa	28,70	30,50	24,80	29,30	38,30	24,90	32,60	21,90
Total power input	W	170	170	170	280	280	280	520	520
LOW SPEED									
Airflow	m ³ /h	783	885	870	1.540	1.680	1.625	3.036	2.982
▶ Cooling capacity	(1) kW	4,87	6,24	7,36	8,38	10,61	12,57	16,84	20,62
Sensible capacity	(1) kW	3,59	4,51	5,12	6,46	7,99	9,03	13,19	15,18
Water flow-rate	(1) l/h	837	1,073	1,266	1,441	1,825	2,161	2,897	3,547
Water pressure drop	(1) kPa	18,20	20,50	20,40	13,70	18,70	15,30	18,80	16,40
▶ Heating capacity	(2) kW	5,31	6,68	7,14	9,69	12,01	12,85	19,69	21,43
Water flow-rate	(2) l/h	913	1,148	1,228	1,667	2,066	2,209	3,387	3,685
Water pressure drop	(2) kPa	18,80	20,40	16,70	15,90	20,80	13,90	22,30	15,40
Total power input	W	128	128	128	175	175	175	430	430
No. of supply fans	-	1	1	1	2	2	2	3	3
4-pipe									
HIGH SPEED									
Airflow	m ³ /h	1.270	1.400	-	2.570	2.800	3.800	4.100	-
▶ Cooling capacity	(1) kW	6,57	8,28	-	11,50	14,60	16,10	20,30	-
Sensible capacity	(1) kW	5,07	6,25	-	9,33	11,50	13,30	16,40	-
Water flow-rate	(1) l/h	1,130	1,424	-	1,978	2,511	2,769	3,492	-
Water pressure drop	(1) kPa	33,20	36,20	-	25,80	35,40	19,50	27,20	-
▶ Heating capacity	(3) kW	10,76	11,47	-	19,82	20,98	28,36	29,87	-
Water flow-rate	(3) l/h	925	986	-	1,705	1,804	2,439	2,569	-
Water pressure drop	(3) kPa	28,70	31,80	-	26,20	28,80	24,10	26,20	-
Total power input	W	212	212	-	390	390	570	570	-
MEDIUM SPEED									
Airflow	m ³ /h	1.041	1.162	-	2.262	2.492	3.534	3.854	-
▶ Cooling capacity	(1) kW	5,81	7,38	-	10,63	13,58	15,39	19,54	-
Sensible capacity	(1) kW	4,40	5,47	-	8,52	10,58	12,63	15,69	-
Water flow-rate	(1) l/h	999	1,269	-	1,827	2,336	2,647	3,360	-
Water pressure drop	(1) kPa	25,90	28,70	-	22,00	30,60	17,90	25,20	-
▶ Heating capacity	(3) kW	9,44	10,14	-	18,22	19,43	27,03	28,67	-
Water flow-rate	(3) l/h	811	872	-	1,567	1,671	2,325	2,466	-
Water pressure drop	(3) kPa	22,10	24,90	-	22,10	24,70	21,90	24,20	-
Total power input	W	170	170	-	280	280	520	520	-
LOW SPEED									
Airflow	m ³ /h	775	854	-	1.465	1.624	2.736	2.993	-
▶ Cooling capacity	(1) kW	4,84	6,09	-	8,12	10,42	13,13	16,70	-
Sensible capacity	(1) kW	3,56	4,39	-	6,24	7,79	10,51	13,09	-
Water flow-rate	(1) l/h	832	1,048	-	1,396	1,791	2,259	2,873	-
Water pressure drop	(1) kPa	18,00	19,60	-	12,80	18,00	13,00	18,40	-
▶ Heating capacity	(3) kW	7,77	8,28	-	13,69	14,65	22,84	24,27	-
Water flow-rate	(3) l/h	668	712	-	1,177	1,260	1,964	2,087	-
Water pressure drop	(3) kPa	15,00	16,60	-	12,50	14,10	15,60	17,30	-
Total power input	W	128	128	-	175	175	430	430	-
No. of supply fans	-	1	1	-	2	2	3	3	-
Standard power supply	V	220-240/1/50							
Type of supply fan	-	CFG							
H Sound pressure level	(5) dB(A)	58	59	59	61	65	62	63	63
M Sound pressure level	(5) dB(A)	52	53	53	57	58	58	62	62
L Sound pressure level	(5) dB(A)	44	45	45	46	47	47	57	57
H Sound power level	(5) dB(A)	69	70	70	72	73	73	74	74
M Sound power level	(5) dB(A)	63	64	64	68	69	69	73	73
L Sound power level	(5) dB(A)	55	56	56	57	58	58	68	68

Notes

The Product is compliant with the Erp (Energy Related Products) European Directive. It includes the Commission delegated Regulation (EU) No 2016/2281, also known as Ecodesign Lot21.

Airflow with free outlet (0 Pa static pressure)

- (1) Entering exchanger water 7°C (temperature differential 5°C) - Ambient air 27°C D.B. / 19°C W.B.
- (2) Entering exchanger water 45°C (temperature differential 5°C) - Ambient air 20°C

(3) Entering exchanger water 65°C (temperature differential 10°C) - Ambient air 20°C

(4) CFG = AC centrifugal fan

(5) Sound levels tested in anechoic chamber and referring to units for 2-pipe systems. The sound pressure level refers to 1 m from the external surface of the unit operating in the open field.

accessories

- ▶ **VEC** High efficiency EC fan
- ▶ **TRM** Terminal block with minimum water temperature clickson
- ▶ **TRP** Terminal block with closing cover IP40
- ▶ **TRMP** Terminal block with closing cover IP40 and minimum water temperature clickson
- ▶ **CTSP1** CLIVET TALK TERMINAL SPACE electronics with RS485 Modbus serial port
- ▶ **CPVM** Control additional card of 0-10V valve and EC fan (available only with options: CTSP1)
- ▶ **2V2** ON/OFF 2-way valve kit for 2-pipe system
- ▶ **2V2X** ON/OFF 2-way valve kit for 2-pipe system
- ▶ **2V4** ON/OFF 2-way valve kit for 4-pipe system (sizes 015.0÷021.0, 031.0÷061.0)
- ▶ **2V4X** ON/OFF 2-way valve kit for 4-pipe system (sizes 015.0÷021.0, 031.0÷061.0)
- ▶ **3V2** 3-way valve kit for 2-pipe type "on/off" system
- ▶ **3V2X** 3-way valve kit for 2-pipe type "on/off" system
- ▶ **3V4** 3-way valve kit for 4-pipe system type "on/off" (sizes 015.0÷021.0, 031.0÷061.0)
- ▶ **3V4X** Three-way valve kit for 4-pipe system type "on/off" (sizes 015.0÷021.0, 031.0÷061.0)
 - ▶ **10V4** 0-10V 3-way valve kit for 4-pipe system (sizes 015.0÷021.0, 031.0÷061.0)
 - ▶ **10V4X** 0-10V 3-way valve kit for 4-pipe system (sizes 015.0÷021.0, 031.0÷061.0)
 - ▶ **10V2** 0-10V 3-way valve kit for 2-pipe system
 - ▶ **10V2X** 0-10V 3-way valve kit for 2-pipe system
- ▶ **KIB22X** Water and balancing kit for 2-way valve and 2-pipe installation
- ▶ **KIB24X** Water and balancing kit for 2-way valve and 4-pipe installation (sizes 015.0÷021.0, 031.0÷061.0)
- ▶ **KIB32X** Water and balancing kit for 3-way valve and 2-pipe installation
- ▶ **KIB34X** Water and balancing kit for 3-way valve and 4-pipe installation (sizes 015.0÷021.0, 031.0÷061.0)
 - ▶ **BRO** Auxiliary drain pan in galvanized steel with thermal insulation
 - ▶ **BROX** Auxiliary drain pan in galvanized steel with thermal insulation
 - ▶ **BRV** Auxiliary condensate collection pan (vertical installation)
 - ▶ **BRVX** Auxiliary condensate collection pan (vertical installation)
 - ▶ **CDP** Condensate drain pump
 - ▶ **CDPX** Condensate drain pump
 - ▶ **FAPS** EU3 flat air filter (Eurovent 4/5) not ductable
 - ▶ **FAPSX** EU3 flat air filter (Eurovent 4/5) not ductable
 - ▶ **SFCF** Air filter section (ductable) with EU3 flat air filter (Eurovent 4/5)
 - ▶ **SFCFX** Air filter section (ductable) with EU3 flat air filter (Eurovent 4/5)
- ▶ **SFHEX** Air filter section (ductable) with EU5 air filter (Eurovent 4/5)
- ▶ **HIDE2X** Remote control with E/I +3V +on/off for wall installation
- ▶ **HIDE3X** Plurifunctional room control for wall installation
- ▶ **HIDE4X** Plurifunctional room control for 0-10V valves
- ▶ **HIDT2X** HID-T2 electronic room control
- ▶ **HIDT3X** HID-T3 electronic room control
- ▶ **HIDTI8X** HIDTI8X electronic room control for wall installation
- ▶ **PTABX** Remote probe for room air temperature for electromechanical thermostats.
- ▶ **DCPX** Control device for more units with a single room control.
- ▶ **EH2QX** Heating section with 230v electric heaters, safety thermostat and power electric panel
- ▶ **EH4QX** Heating section with 400v electric heaters, safety thermostat and power electric panel
- ▶ **RE700** 0.7 kW integrated electric heater with safety thermostat and power electric panel
- ▶ **RE1000** 1.0 kW integrated electric heater with safety thermostat and power electric panel
- ▶ **RE1500** 1.5 kW integrated electric heater with safety thermostat and power electric panel
- ▶ **RE2000** 2.0 kW integrated electric heater with safety thermostat and power electric panel
- ▶ **MCRX** Mixing and recirculating chamber
- ▶ **PR90AX** 90° air intake plenum
- ▶ **PCCRIX** Air intake plenum with circular fittings
- ▶ **PGFRIX** Air intake plenum with flexible joint
- ▶ **PMAX** Straight section for both air intake / supply outlets
- ▶ **P90MAX** 90° section for air supply outlet
- ▶ **PCCMAX** Section with spigots "Ø" with variable diameter and internal insulation for air supply outlet
- ▶ **PGFMAX** Anti-vibration section for supply outlet
- ▶ **SILMAX** Labyrinth noise level attenuator section for both air intake / supply outlets
- ▶ **CUFMX** Air outlet casing with bird-proof grill
- ▶ **CUFAX** Air intake casing with bird-proof grill and EU3 air filter (Eurovent 4/5)
- ▶ **S230X** On-off 230v servomototr for mixing and recirculation chamber
- ▶ **GMX** Outlet grille
- ▶ **GRAX** Return grille with filter
- ▶ **TMX** Hot water min. temperature thermostat

Key to symbols and notes

- Accessories separately supplied

For compatibility between the various accessories, please refer to the dedicated Technical Bulletin or our website in the Systems and Products section.

