

SPHERA-T Comfort

(SRHM-TC + MDAN-XMi)



TECHNICAL DATA		2.1	3.1	4.1	5.1	6.1	7.1	8.1
Size – SRHM-TC + MDAN-XMi								
Unit for radiant panels								
A7/W35								
▶ Heating capacity	kW	4,23	6,33	8,10	9,90	11,8	13,7	15,4
Total power input	kW	0,81	1,30	1,76	2,13	2,64	3,01	3,76
COP (EN 14511:2013)	-	5,21	4,87	4,60	4,66	4,49	4,57	4,09
A2/W35								
▶ Heating capacity	kW	4,02	5,44	6,35	7,66	9,13	10,8	11,6
Total power input	kW	1,16	1,45	1,74	2,08	2,60	3,34	3,55
COP (EN 14511:2013)	-	3,46	3,75	3,65	3,68	3,52	3,23	3,26
A-7/W35								
▶ Heating capacity	kW	4,59	5,40	5,99	7,78	9,41	11,0	12,0
Total power input	kW	1,56	1,95	2,19	2,81	3,45	4,05	4,43
COP (EN 14511:2013)	-	2,94	2,77	2,73	2,77	2,72	2,71	2,70
A35/W18								
▶ Cooling capacity	kW	4,47	6,17	7,99	10,1	11,4	14,3	15,4
Total power input	kW	0,82	1,28	1,81	2,04	2,61	3,12	3,57
EER (EN 14511:2013)	-	5,44	4,82	4,42	4,96	4,35	4,60	4,32
Terminal units								
A7/W45								
▶ Heating capacity	kW	4,07	6,00	7,31	10,0	11,3	14,2	15,9
Total power input	kW	1,09	1,64	2,15	2,88	3,30	3,99	4,96
COP (EN 14511:2013)	-	3,73	3,66	3,40	3,47	3,42	3,57	3,21
A2/W45								
▶ Heating capacity	kW	4,04	5,52	6,74	7,30	9,16	11,3	11,7
Total power input	kW	1,32	1,83	2,39	2,57	3,32	3,99	4,30
COP (EN 14511:2013)	-	3,07	3,02	2,82	2,83	2,76	2,83	2,71
A-7/W45								
▶ Heating capacity	kW	3,98	4,96	5,54	8,69	9,31	11,1	11,3
Total power input	kW	1,69	2,08	2,51	3,84	4,25	4,94	5,24
COP (EN 14511:2013)	-	2,36	2,38	2,20	2,26	2,19	2,24	2,16
A35/W7								
▶ Cooling capacity	kW	4,33	6,23	6,52	9,52	11,3	14,1	14,5
Total power input	kW	1,28	2,05	2,24	3,22	4,28	5,14	5,28
EER (EN 14511:2013)	-	3,39	3,04	2,91	2,96	2,64	2,75	2,76
ESEER	-	4,20	4,14	4,01	4,15	4,13	4,12	4,18
Radiators								
A7/W55								
▶ Heating capacity	kW	3,96	5,43	6,66	8,87	10,3	13,1	14,8
Total power input	kW	1,34	1,82	2,45	3,27	3,86	4,40	5,37
COP (EN 14511:2013)	-	2,94	2,99	2,72	2,72	2,66	2,98	2,75
A2/W55								
▶ Heating capacity	kW	3,52	4,97	6,40	7,84	7,83	10,8	10,9
Total power input	kW	1,43	1,99	2,72	3,49	3,50	4,54	4,65
COP (EN 14511:2013)	-	2,46	2,50	2,35	2,25	2,24	2,38	2,35
A-7/W55								
▶ Heating capacity	kW	3,15	4,49	5,09	7,85	7,96	9,96	10,3
Total power input	kW	1,80	2,39	2,85	4,58	4,56	5,81	5,70
COP (EN 14511:2013)	-	1,75	1,88	1,79	1,71	1,74	1,71	1,81
Water flow-rate (User Side)	(1) l/s	0,20	0,30	0,39	0,47	0,57	0,66	0,73
Useful pump discharge head	kPa	73,0	67,0	52,0	88,0	80,0	72,0	64,0
Domestic hot water storage	l	280	280	280	280	280	280	280
Solar heat exchanger capacity	W/K	2703	2703	2703	3186	3186	3186	3186
Standard power supply	V	230/1/50	230/1/50	230/1/50	230/1/50	230/1/50	230/1/50	230/1/50
Sound pressure level (1m) outdoor unit	dB(A)	49	49	49	52	53	54	56
Min inlet air temperature (W.B.)	°C	-20	-20	-20	-20	-20	-20	-20
Max. leaving water temperature	°C	60	60	60	60	60	60	60

Notes

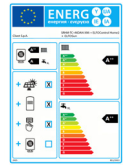
(1) A7/W35 internal exchanger water 30/35°C; external air temperature 7°C D.B./ 6°C W.B.

Performances according to EN 14511:2013

- A7/W35 internal exchanger water 30/35°C; external air temperature 7°C D.B./ 6°C W.B.
- A2/W35 internal exchanger water 30/35°C; external air temperature 2°C D.B./ 1,1°C W.B.
- A-7/W35 internal exchanger water 30/35°C; external air temperature -7°C D.B./ -8°C W.B.
- A7/W45 internal exchanger water 40/45°C; external air temperature 7°C D.B./ 6°C W.B.
- A2/W45 internal exchanger water 40/45°C; external air temperature 2°C D.B./ 1,1°C W.B.
- A-7/W45 internal exchanger water 40/45°C; external air temperature -7°C D.B./ -8°C W.B.

- A7/W55 internal exchanger water 50/55°C; external air temperature 7°C D.B./ 6°C W.B.
- A2/W55 internal exchanger water 50/55°C; external air temperature 2°C D.B./ 1,1°C W.B.
- A-7/W55 internal exchanger water 50/55°C; external air temperature -7°C D.B./ -8°C W.B.
- A35/W18 internal exchanger water 23/18°C; external air temperature 35°C
- A35/W7 internal exchanger water 12/7°C; external air temperature 35°C

Two-section air-water reversible heat pump



ErP

Size – SRHM-TC + MDAN-XMi			2.1	3.1	4.1	5.1	6.1	7.1	8.1
ErP System Energy Class - AVERAGE Climate - W55	(1)	-	A++	A++	A++	A++	A++	A++	A++
ErP Space Heating Energy Class - AVERAGE Climate - W55	(2)	-	A++	A++	A++	A++	A++	A++	A++
ErP Domestic Hot Water Energy Class	(3)	-	A	A	A	A	A	A	A
ErP Domestic Hot Water Profile	(4)	-	XL	XL	XL	XL	XL	XL	XL

Notes
 The Product is compliant with the ErP (Energy Related Products) European Directive. It includes the Commission delegated Regulation (EU) No 811/2013 (rated heat output ≤ 70 kW at specified reference conditions) and the Commission delegated Regulation (EU) No 813/2013 (rated heat output ≤ 400 kW at specified reference conditions)

(1) Seasonal Space Heating Energy Efficiency Class of the package according to Commission delegated Regulation (EU) No 811/2013

(2) Seasonal Space Heating Energy Efficiency Class according to Commission delegated Regulation (EU) No 811/2013. W = Water outlet temperature (°C)

(3) Water Heating Energy Efficiency Class according to Commission delegated Regulation (EU) No 811/2013

(4) Considered Load profile for the definition of Domestic Hot Water Energy Class according to Commission delegated Regulation (EU) No 811/2013. Class of the package with ELFOControl²

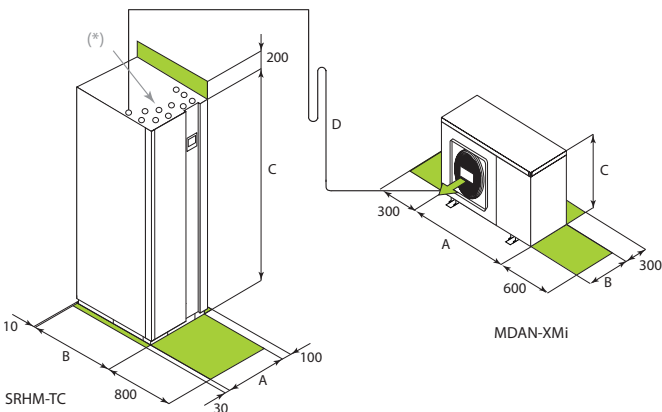
ACCESSORIES

Size – SRHM-TC + MDAN-XMi		2.1	3.1	4.1	5.1	6.1	7.1	8.1
Basic configuration (230/1/50)		std	std	std	std	std	std	std
Basic configuration (400/3/50)		-	-	-	-	option	option	option

Eh246X	2-4 and 6 kW integration electric heater
SOL	Drain-back solar integration for domestic hot water
A280X	Auxiliary domestic hot water storage
KCCEx	External boiler connection kit
HIDT15'BX	Temperature and humidity thermostat / Remote control with touch screen display, for built-in installation (box 503) or for wall installation. White
HIDT15'NX	Temperature and humidity thermostat / Remote control with touch screen display, for built-in installation (box 503) or for wall installation. Black
AMRX	Rubber antivibration mounts
AL12X	Power supply unit for HIDT152 thermostats and HID-UR sensor
KDLHX	Hydraulic breaker with one unmixed booster and one mixed booster
KDHHX	Hydraulic breaker with two unmixed boosters

Accessories whose code ends with "X" are separately supplied.

DIMENSIONS

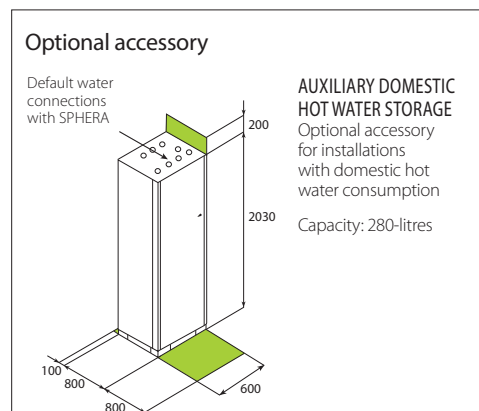


Size – SRHM-TC		A	B
A - Length	mm	600	600
B - Width	mm	800	800
C - Height	mm	2040	2040
Operating weight	kg	450	470

Size – MDAN-XMi		2.1	3.1	4.1	5.1	6.1	7.1	8.1
A - Length	mm	960	960	1075	900	900	900	900
B - Width	mm	380	380	395	400	400	400	400
C - Height	mm	860	860	965	1327	1327	1327	1327
D - Max length of cooling lines	m	20	20	30	50	50	50	50
D - Max difference of cooling lines	m	15	15	25	25	25	25	25
Operating weight	kg	60	60	76	109	109	109	109

ATTENTION! For trouble-free operation of the unit it is essential to maintain the safety distances indicated by the green areas.

(*) Unit hydraulic and gas connections



Data contained in this document are not binding and may be changed by the Manufacturer without notice.